

Work Instruction	WI, Packing and unpacking for repair	Revision	A		
Part Number	4022 200 10004	FEI Confidential	Page 1 of 4	Date	7-Mar-2008
The information and materials contained herein are confidential and proprietary to FEI Company. They are provided for your organization's internal use on a need to know basis. They cannot be duplicated or disseminated for any third party without the express consent of FEI Company.					

1 **Packing and unpacking for repair (30 minutes)**

Purpose: Packing the imaging module for transport to repair

Tools/Materials:

- Special transport case needed

Hazard Warnings:

The following hazard(s) are associated with these operations:

- No other hazard than weight of the imaging module 50kg.

1.1 **General**

Two procedures
Unscheduled maintenace. 1 crates
Scheduled maintenance 2 crates

1.2 **Switching off**

Follow shut down procedure and allow proper roll out of the turbo.

Work Instruction	WI, Packing and unpacking for repair	Revision	A
Part Number	4022 200 10004	FEI Confidential	Page 2 of 4
		Date	7-Mar-2008

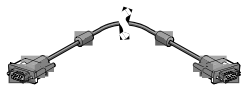
1.3 Disconnect all cables



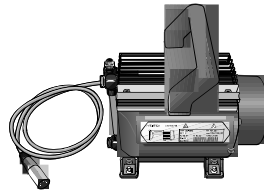
Phenom electron microscope



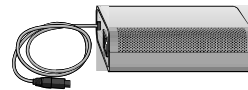
Flat panel monitor with USB cable for touch screen



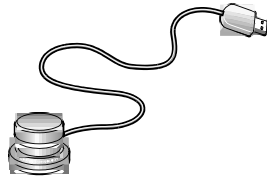
Flat panel monitor



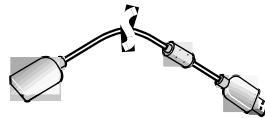
Pre-vacuum pump



AC power adapter



Rotary knob



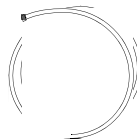
Rotary knob extension cable



Sample container



USB memory stick



Pre-vacuum pumphose



Power cable Europe
2 x



Power cable USA - 2x

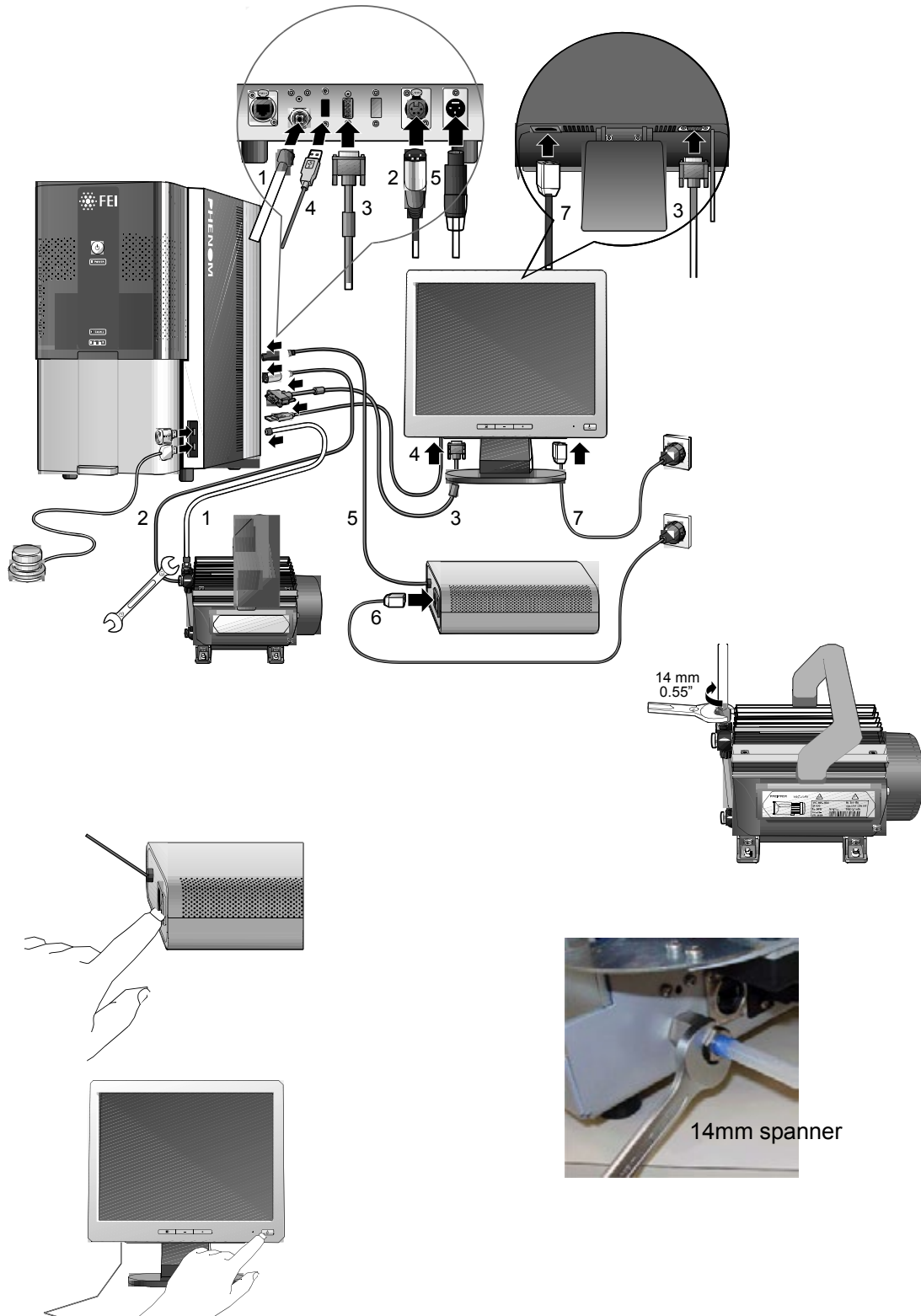


Quick Reference Card



User manual

Work Instruction	WI, Packing and unpacking for repair	Revision	A
Part Number	4022 200 10004	FEI Confidential	Page 3 of 4
		Date	7-Mar-2008



Work Instruction	WI, Packing and unpacking for repair	Revision	A		
Part Number	4022 200 10004	FEI Confidential	Page 4 of 4	Date	7-Mar-2008

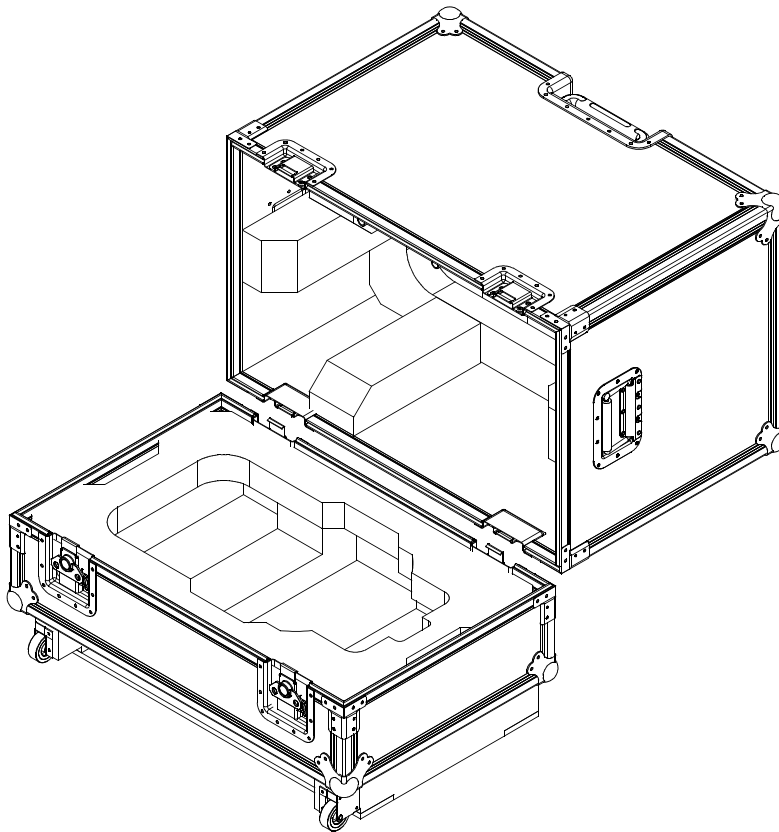


Fig. 1-1 Repair transport case

1.4 Stowage in the repair transport case.

See [Figure 1-1](#)

1.5 Filling in forms

Declaration of contamination (Contamination ID Tag)
information of the unit type number etc.

Return address

See also power point Introduction.ppt