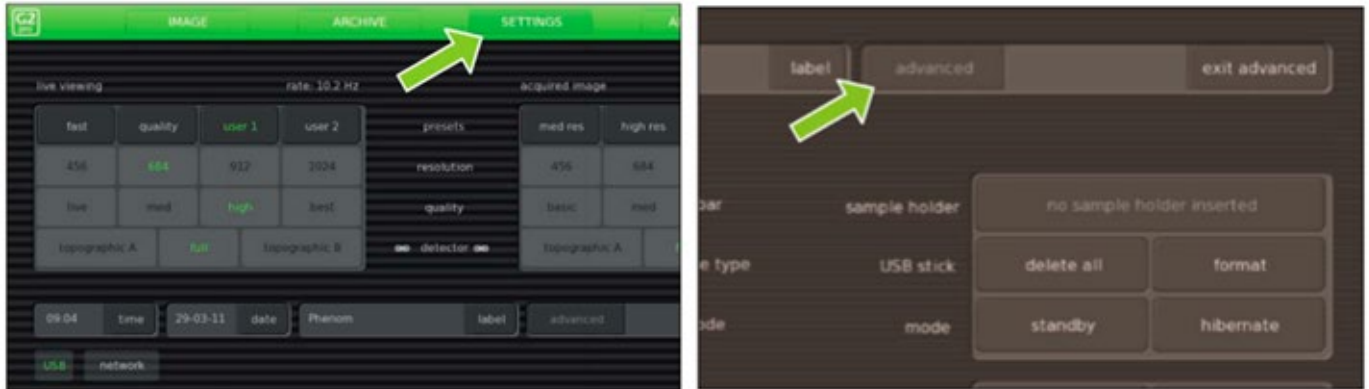
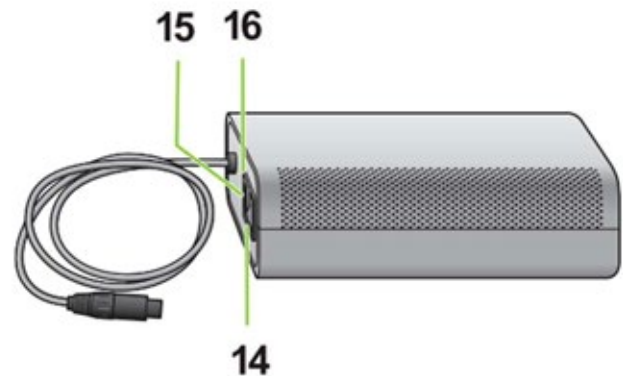
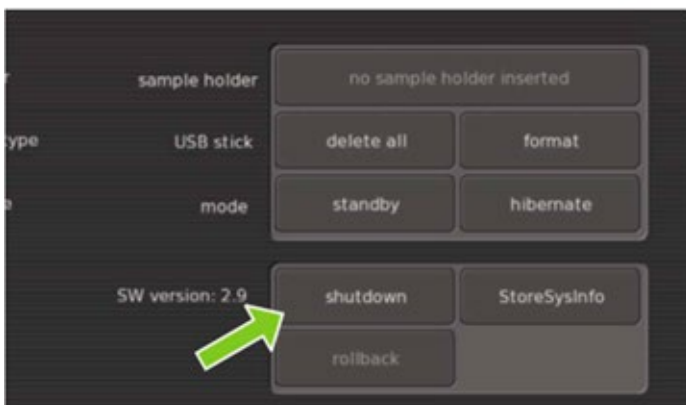


How to shut down your PHENOM desktop SEM

1. Push the “settings” button and click on the “advanced” button



2. Input the code “expert” to activate the “advanced” menu
3. The “settings” menu now shows the “shutdown” button. Pushing this button will prepare the PHENOM for complete switch-off. This takes about 35 minutes. A countdown timer informs the user of the remaining time. After about 35 minutes the message “it is now safe to turn off your system” appears



4. You can now completely shut down your system by pushing the O/I button (14) on the power supply.